


Share your pictures for a feature!  
using #SwissMadison 

www.swissmadison.com  
1-434-MADISON  
19 Stults Road, Dayton, NJ 08810

**Wall Hung Toilet**

MODEL: CARRÉ SM-WT455

To ensure this product is installed properly, please read these instructions carefully before you begin.  
(Certain Installations may require professional help.)

**CAUTION: PRODUCT IS FRAGILE. TO AVOID BREAKAGE AND POSSIBLE INJURY HANDLE WITH CARE!**  
NOTE: Pictures may not exactly define contour of china and components.

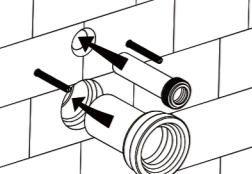
**RECOMMENDED TOOLS AND MATERIALS**

- |             |                      |                   |                  |         |
|-------------|----------------------|-------------------|------------------|---------|
| Putty Knife | Regular Screwdriver  | Adjustable Wrench | Tape Measure     | Sealant |
| Hacksaw     | Flexible Supply Tube | Closet Bolts      | Carpenters Level |         |

**1 REMOVE OLD TOILET**

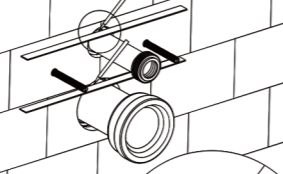
- Close toilet supply valve and flush tank completely. Towel or sponge remaining water from tank and bowl.
- Disconnect and remove supply line. NOTE: *If replacing valve, first shut off main water supply!*
- Remove old mounting hardware, remove toilet and plug wall waste opening to prevent escaping sewer gases.
- Remove closet bolts from flange and clean away old wax, putty, etc. from base area.  
NOTE: *Mounting surface must be clean and level before new toilet is installed!*

**2**



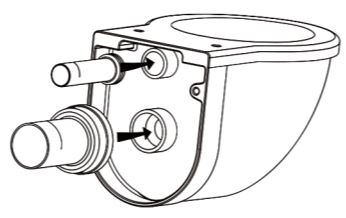
Fully insert the straight tube into cistern flushing outlet and connecting pipe into discharge outlet.

**3**



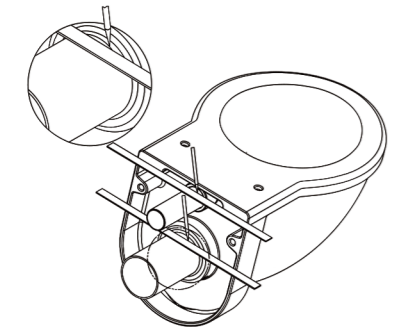
Draw the lines as above picture.

**4**



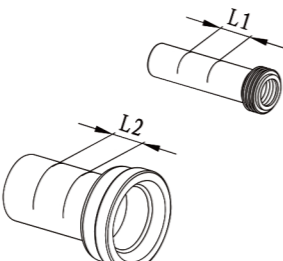
Apply lubricant on rubber washers of straight tube and connecting pipe, then insert into ceramic holes.

**5**



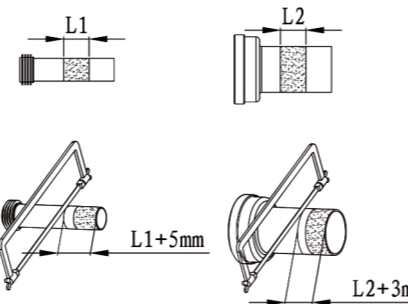
Draw the lines as above picture.

**6**



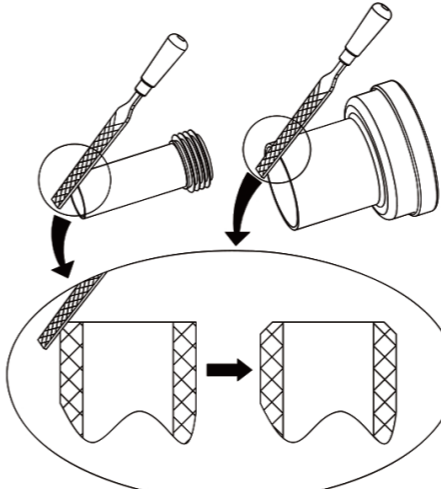
As per drawing, L1 is distance between the two lines on straight tube. L2 is distance between the two lines on connecting pipe.

**7**



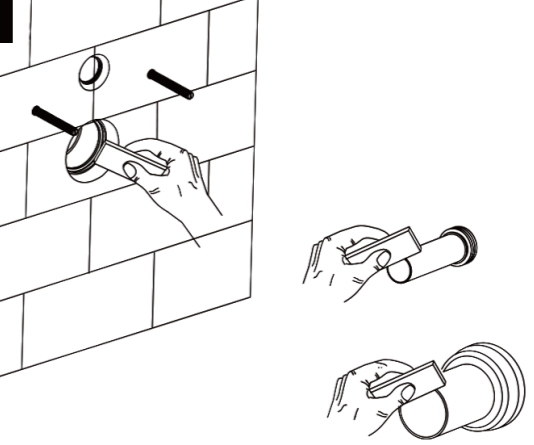
Cut the straight tube and connecting pipe as per above drawing.

**8**



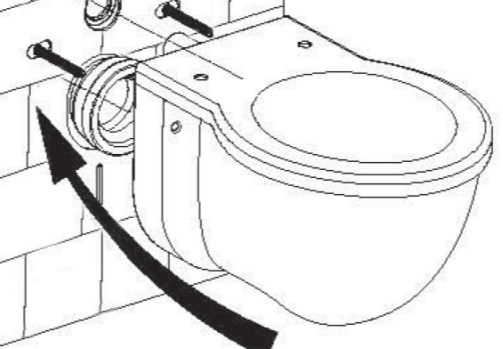
Polishing the cutting surface to get chamfer angle as per drawing and deburring.

**9**



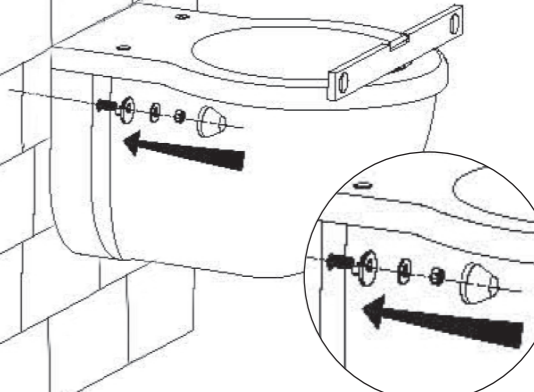
Apply lubricant on joint surface of straight tube and connecting pipe.

**10**



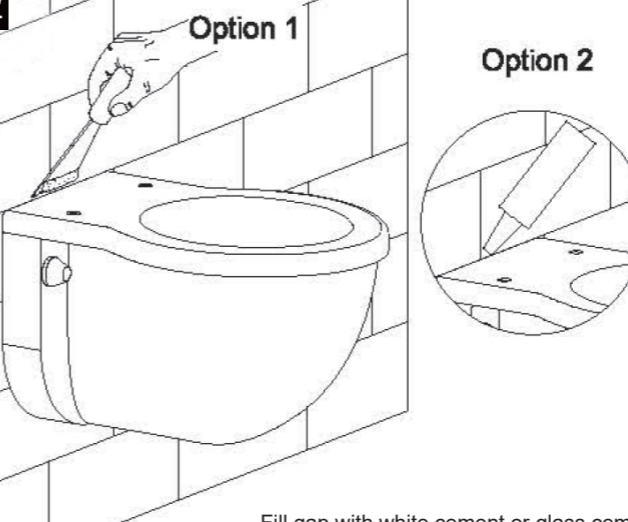
Mounting the ceramic bowl.

**11**



Attach the bowl via washer and bolt then cover the bolts with included cap.

**12**



Option 1  
Option 2  
Fill gap with white cement or glass cement.